

CURRENT TRANSFORMERS

Models 600 & 601 SPLIT CORE

Window Size

600 – 2.00" X 5.50"

601 – 4.50" X 4.50"

APPLICATION:
For energy management systems and instrumentation.

FREQUENCY:
50–400 Hz.

CONSTRUCTION:
The core and windings are encased in U.L. approved plastic.

INSULATION LEVEL:
0.6 kV, BIL 10 kV full wave.

CONTINUOUS THERMAL CURRENT RATING FACTOR:

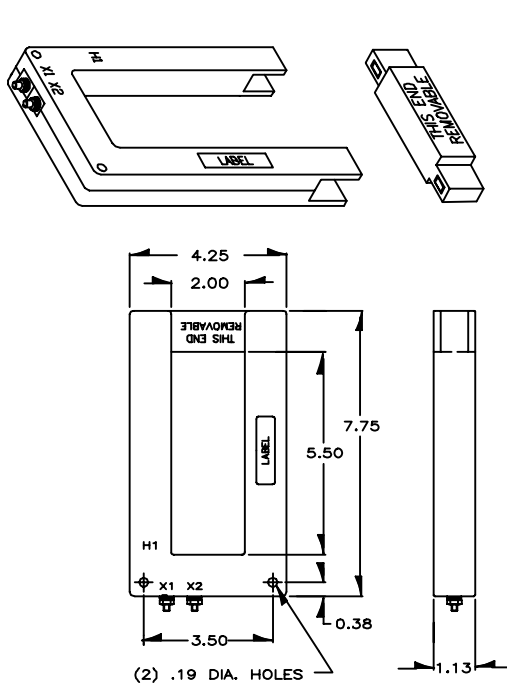
- 1.33 at 30°C amb.,
1.0 at 55°C amb.
- Terminals are 8–32 brass studs with one flatwasher, lockwasher and regular nut.
- Flexible leads UL 1015 105°C, CSA approved, #16 AWG, 24" long are available.
- Approximate Weight: 1.5 Lbs.

REGULATORY AGENCY APPROVALS

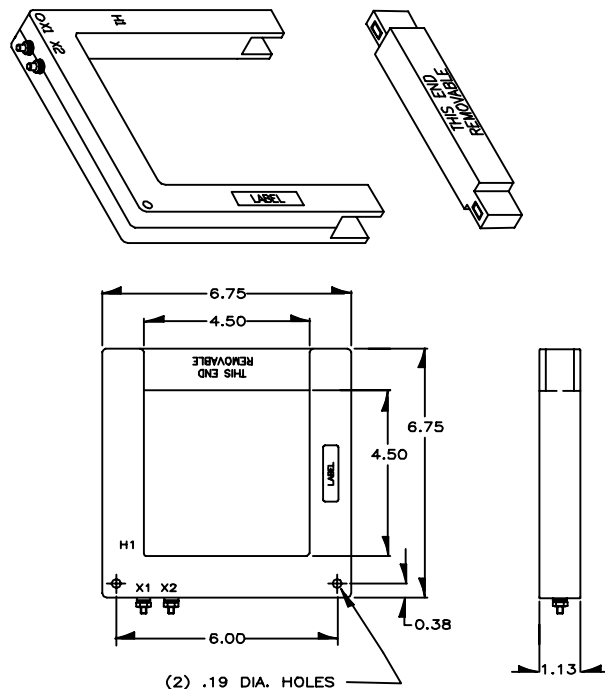


Manufactured to meet the requirements of ANSI C57.13.
Classified by U.L. in accordance with IEC 44–1

MODEL 600



MODEL 601



These transformers are designed for assembly to an existing electrical installation without the need for dismantling the primary bus or cables.

CAUTION :

Proper safety precautions must be followed during installation by a trained electrician. Never install while bus is energized.

The current transformer must have its secondary terminals short circuited or the burden connected, before energizing the primary circuit.

CATALOG NO.	CURRENT RATIO	VA AT 1% CLASS	ANSI METERING CLASS AT 60Hz		
			B0.1	B0.2	B0.5
600-401	400:5A	1.5	2.4	4.8	—
600-501	500:5A	2.0	2.4	4.8	—
600-601	600:5A	2.5	2.4	2.4	—
600-801	800:5A	5.0	1.2	1.2	2.4
600-102	1000:5A	7.5	1.2	1.2	2.4
600-122	1200:5A	15.0	0.6	1.2	1.2
600-152	1500:5A	20.0	0.6	0.6	1.2
600-162	1600:5A	20.0	0.6	0.6	1.2
600-202	2000:5A	30.0	0.6	0.6	0.6

CATALOG NO.	CURRENT RATIO	VA AT 1% CLASS	ANSI METERING CLASS AT 60Hz		
			B0.1	B0.2	B0.5
601-401	400:5A	1.0	4.8	—	—
601-501	500:5A	1.5	4.8	4.8	—
601-601	600:5A	2.0	2.4	4.8	—
601-801	800:5A	2.5	1.2	2.4	4.8
601-102	1000:5A	5.0	1.2	1.2	4.8
601-122	1200:5A	10.0	1.2	1.2	2.4
601-152	1500:5A	15.0	1.2	1.2	1.2
601-162	1600:5A	15.0	1.2	1.2	1.2
601-202	2000:5A	20.0	0.6	0.6	1.2